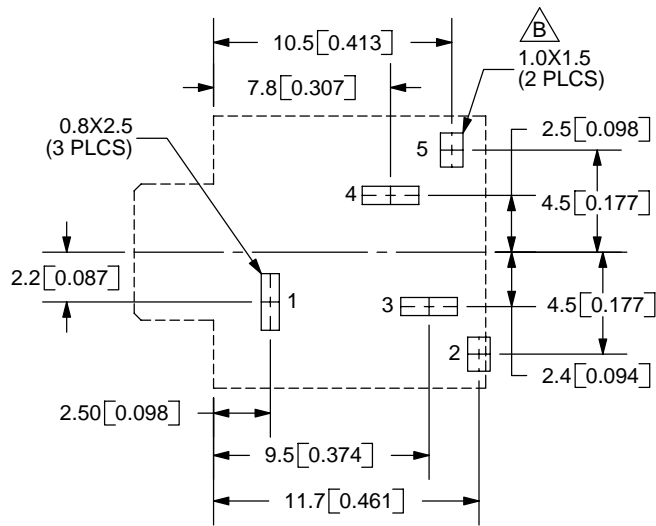
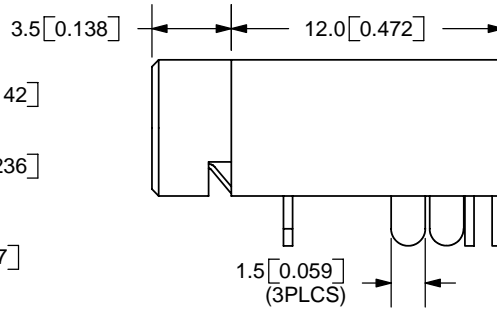
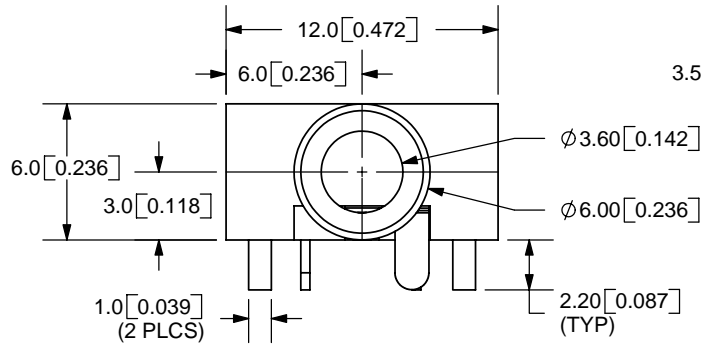
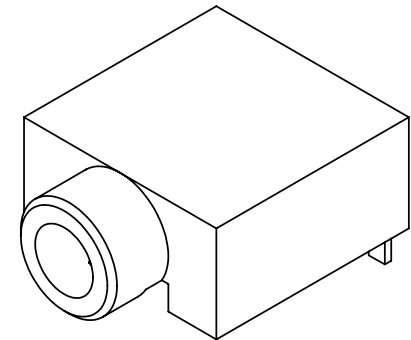
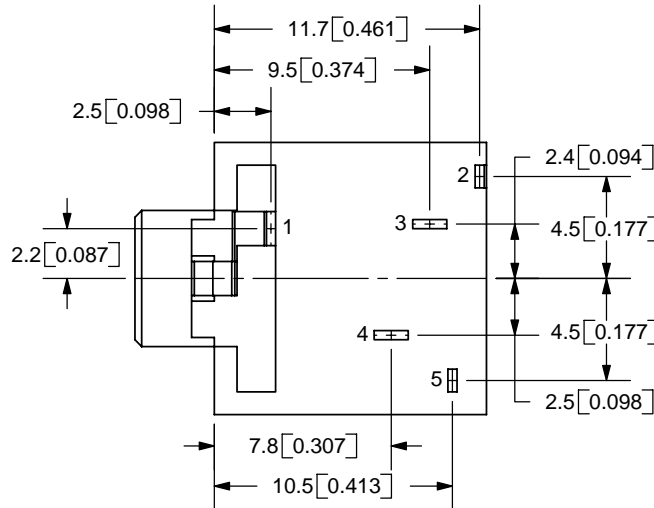


REV.	DESCRIPTION	DATE
A	NEW DRAWING	1/27/2006
B	Updated PCB layout	4/19/2006



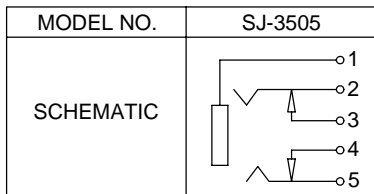
PCB LAYOUT  
TOP VIEW



TOLERANCE:  
±0.3mm UNLESS OTHERWISE  
SPECIFIED



**SPECIFICATIONS:**  
 RATING: 12V DC @ 1A  
 CONTACT RESISTANCE: 10~20m OHMS MAX  
 INSULATION RESISTANCE: 50M OHMS MIN: 500V DC  
 VOLTAGE WITHSTAND: 250V AC R.M.S. FOR 1 MINUTE  
 LIFE: 10,000 CYCLES



	MATERIAL	PLATING
TERMINAL 1	Tin Bronze	Silver
TERMINAL 2	Copper Titanium	Silver
TERMINAL 3	Brass	Silver
TERMINAL 4	Brass	Silver
TERMINAL 5	Copper Titanium	Silver
HOUSING	PBT	



9615 SW Allen Blvd., Ste. 103  
 Beaverton, OR 97005  
 Phone: 503-643-4899  
 800-275-4899  
 Fax: 503-372-1266  
 Website: www.cui.com

TITLE: 3.5mm AUDIO JACK - STEREO	REV: B
PART NO. SJ-3505	UNITS: MM [INCHES]
DRAWN BY: ZRJ	APPROVED BY:
	SCALE: 3:1

PC FILE NAME:  
SJ-3505

COPYRIGHT 2006 BY CUI INC.